

Product details

09 32 000 6108

Male contact

Contact type	Power contact Han® K 12/2 + 6/36
Cross section	6.0 mm ²
Plating	Silver plated
Application	browsing..
Series	Han® Q
RoHS compliant	Yes

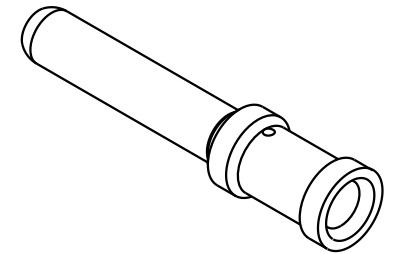
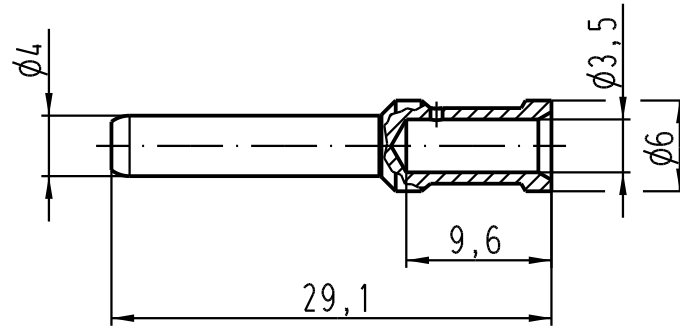
1 2 3 4 5 6

A

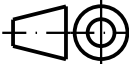

B

C

D



Leiterquerschnitt / wire gauge: 6mm² / AWG 10
 Abisolierlänge / stripping length: 9,5mm

 All Dimensions in mm Original Size DIN A 4		Techn. Character.			Nicht tolerierte Masse / Free size tolerances	
			Dat.	Name	Massestab / Scale 2:1	Han C Stiftkontakt gedreht 40A/ Han C male contact twisted 40A versilbert / silver plated
		Detail.	20.12.05	Ho		
		Insp.		SP		
		Stand.				
411928			HARTING Electric GmbH & Co. KG			TB 09 32 000 6108
Mod.	Dat.	Name	D-32339 Espelkamp			
						Sub. TB 09 32 000 610. v. 18.06.99
						Blatt / page